



Project		Date	
Type		Notes	

## Ironclad® SRSEM LED SERIES

The Ironclad® SRSEM LED series provides high performance in a low profile contemporary housing that complements most interior applications. TCLCA meets CEC California Title 20 energy code requirements. The TCL is engineered for Quick fit easy installation and maintenance free reliability. The 2 watt LED lamps provide 125 lumens each for superior spacing. Long lamp life (up to 100,000 hours) with very low power consumption.

### Construction

- Compact low profile contemporary design provides
- Injection molded, high impact thermoplastic housing in a white finish
- Knock out mounting pattern on back plate and top conduit entry provides quick installation
- Snap-fit housing suitable for Wall or Ceiling mount
- Combined momentary test switch and AC status indicator provided for ease of testing

### Power Source

- Maintenance free sealed Nickel Cadmium (TCL2) or Nickel Metal Hydride batteries (TCL4) operating temperature range 10°C to 40°C
- Remote capability with TCL4 can power two 1-watt LED lamp heads, or be used for longer run time
- Available with optional full Self-Test/Self-Diagnostics
- Field selectable 120 or 277 VAC 60 HZ
- Line-latch prevents unnecessary discharge of battery during installation, loads will not illuminate until after application of utility power
- Low voltage cut-off prevents battery damage and ensures positive

### Vandal Resistant Cover

The Ironclad® SRSEM LED cover provides an economical solution to adapt the popular SRSEM emergency light to a wet location vandal resistant application. The fixture is compact, aesthetically pleasing and adds wet location protection, with vandal resistance. Now with integral test switch.

### Construction

- 0.12" thick clear UV resistant polycarbonate protective lens with integrated sealing lip
- Bottom mounted integral Test Switch for ease of testing
- High impact ABS thermoplastic back mounting plate with closed cell foam integral gasket
- Universal Mounting pattern for wall mounting with with a neoprene gasket on the backplate
- Mounting hardware included
- Stainless steel screws secure cover to base
- Designed for use in NEMA 4X or wet locations, IP65 rated
- Suitable for use areas where accidental or intentional abuse may occur
- Fits neatly over TCL2 and TCL4 models

### Certification

- UL 924 listed and IP65 rated

- charge acceptance following an extended discharge
- Brownout sensing assures emergency operation during periods of low line voltage
- Fully automatic, solid state, two-rate charger will recharge battery per UL 924 requirements
- Damp location environmentally coated circuitry provided as standard

### Illumination

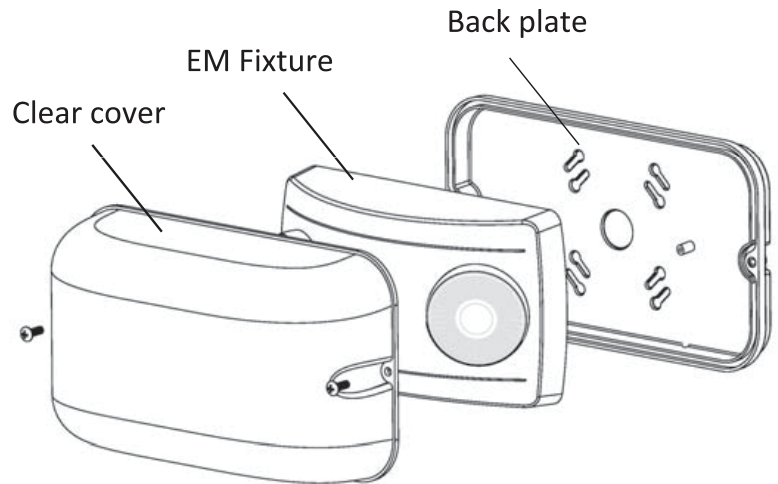
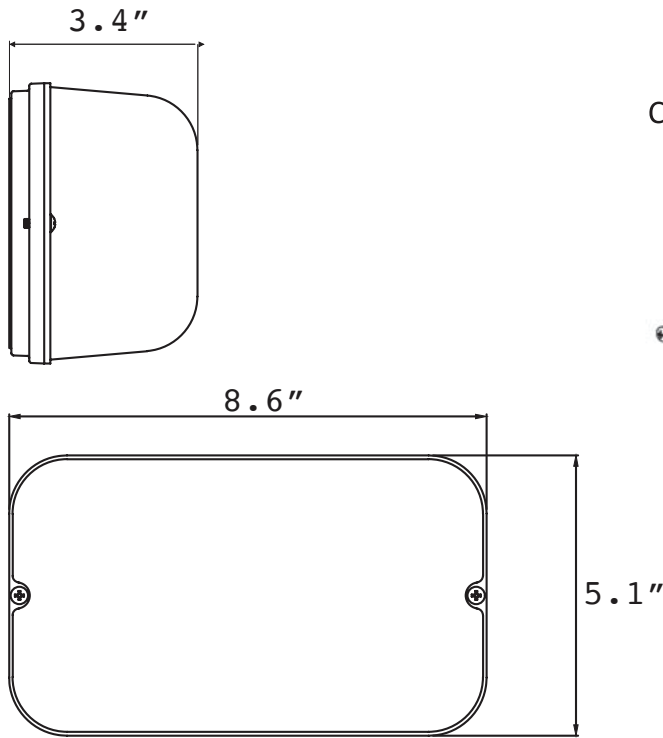
- Two fully adjustable High Brightness 2 watt LED Heads each producing 125 lumens for optimum spacing and distribution
- Optional single or double, indoor or outdoor remote heads are available, with 3.6 volt 1 watt LEDs

### Certification

- UL 924 Listed, meets NFPA101 Life Safety Code, NFPA 70-NEC, and OSHA requirements

### Warranty

- 3 Year Limited warranty



Ordering Guide

Model	Operation	Color	Option 1	Option 3	Option 4
TCL = SRSEM LED Emergency Light	2 = (2) 2W LED Heads w/ No Remote Capability	W = White (Standard)	00 = None	00 = None I1 = TCRH1 Single Indoor Remote Head I2 = TCRH2 Double Indoor Remote Head	00 = Outdoor Head Color Grey
TCLCA = California Title 20 Models, Listed LED Emergency Light	4 = (4) 2W LED Heads w/ 2W Remote Capability	B = Black <i>*Only available w/ TCL48-SD &amp; TCLCA48</i>	SD = Self-Test/ Self-Diagnostics	O1 = PRWLED1MV Single Outdoor Remote Head O2 = PRWLED2MV Double Outdoor Remote Head S1 = PRWLED1MVSD Single Outdoor Remote Head S2 = PRWLED2MVSD Double Outdoor Remote Head	BL = Outdoor Head Color Black

*\*Outdoor Remote Heads are Gray (Standard), Black to Order*  
*\*Remote Heads are 1W each*

*\*When used w/SD unit MV Heads must have SD designation to ensure compatibility*