



## Ironclad® Correctional EXIT SIGNS

The Ironclad® Correctional provides the quality performance and appearance of the standard series LED exit sign enhanced with a durable 1/8" thick polycarbonate security faceplate cover, tamper resistant access screws and where required, a Heavy Duty mounting canopy.

### Construction:

- Polycarbonate face shield
- Tamper resistant hardware
- Injection molded internal cavity
- Die cast aluminum housing with an 1/8" thick beveled edge
- Security cover and faceplate secured with tamper resistant stainless steel screws
- Oversized canopy enabling more secure mounting
- Canopy mount (*field selectable*) with two die cast 3/8" nipples and lock nuts and is suitable for conduit entry
- Fine grain brushed aluminum stencil face standard.
- Other finishes available
- Full size (*field selectable*) Chevron indicators
- Hidden knock out access points and universal mounting pattern

### Electrical:

- LED light source with 25+ years life expectancy
- Battery backup models: 2.5 watts, .77 power factor
- 4 Hour battery backup
- 120 or 277 VAC field selectable input
- Circuitry includes - Zero current LVCO, Brownout sensing & Line-Latch
- Self-Diagnostic Battery monitoring (*EM models only*) - *Flashing LED when battery needs replacing*
- Electronic control circuit applies full wave, low ripple current to each LED thereby optimizing life and light output.
- Remote capable

### Illumination:

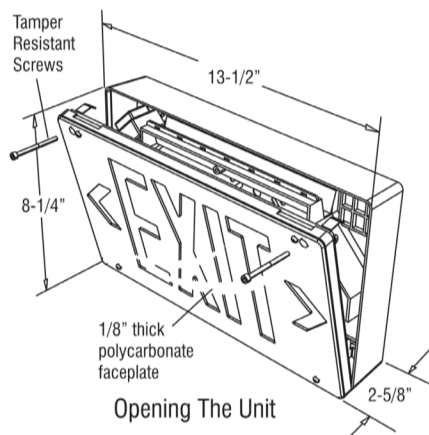
- 1 W power consumption for single and double faced AC models
- Vivid illumination, 4 times the minimum UL 924 requirement
- Spectrally matched diffuser for superior visual brightness

### Certifications:

- UL 924, NFPA 101 Life Safety Code, NFPA 70- NEC, and OSHA
- California Energy Commission (CEC) Title 20 Compliant

### Warranty:

- 5 Year Limited Warranty



### Downloads

[SPEC SHEET »](#)

[INSTRUCTIONS »](#)

Model	Operation	Letter Color	No. of Faces	Body Color	Mounting
CDI					
CDI	AC = AC Only 120/277 VAC	R = Red	1 = Single	AB = Brushed Face, Blk	1B = Single Face, Back Mount Only
				BB = All Black	CI = Industrial Canopy
				WW = All White	RE = Recessing Frame Includes 1/8" Polycarbonate Shield & Tamper Proof Screws
	AA = All Brushed Aluminum				
EM = Battery Backup	G = Green	2 = Double	AW = Brushed Face, Wht		

Option 1	Option 2	Option 3	Option 4
00 = None	00 = None	000 = None	00 = None
SD = Self-Test / Diagnostic ( <i>EM Models</i> )	F = Flash in Emergency Mode ( <i>EM models</i> ) or continuous Flash in AC models	DK1 = Two Circuit Input - 120V ( <i>AC models</i> )	DL = Damp Location
	FA = Flash in AC & Emergency mode on 12-24V ( <i>AC or DC</i> ) normally off Fire Alarm signal ( <i>For AC &amp; EM models</i> )		
IR = Infrared Remote Testing Receiver	FB = FA option including Buzzer	DK2 = Two Circuit Input - 277V ( <i>AC models</i> )	
	FZ = F option including Buzzer		